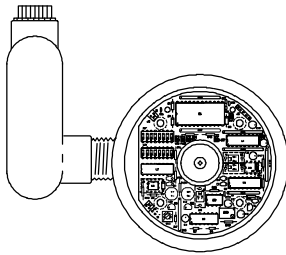


Specification Sheet



3255 West Stetson Avenue
Hemet, CA 92545-7799

Model:	Description:	Document #:	Rev:
E7000	Two-Wire 4-20 mA Transmitter	24527-13	1.1



Features:

- ◆ Industry standard 2-wire 4-20 mA output
- ◆ Output is linear with flowrate
- ◆ Compatible with all McCrometer propeller meters with a mechanical register
- ◆ Installation can be accomplished without meter removal from pipe
- ◆ For meter sizes up to 24"
- ◆ Signal can travel up to 5000 feet
- ◆ Additional pulse output and anti-reverse options

E 7 0 0 0 - 0 x x

<table border="0"> <tr> <td style="text-align: center;"><u>Anti-Reverse</u></td> <td style="text-align: center;"><u>Pulse Output</u></td> </tr> <tr> <td>0 - No</td> <td>0 - None</td> </tr> <tr> <td>1 - Yes</td> <td>1 - Dry Contact</td> </tr> <tr> <td></td> <td>2 - Open Collector</td> </tr> </table>	<u>Anti-Reverse</u>	<u>Pulse Output</u>	0 - No	0 - None	1 - Yes	1 - Dry Contact		2 - Open Collector
<u>Anti-Reverse</u>	<u>Pulse Output</u>							
0 - No	0 - None							
1 - Yes	1 - Dry Contact							
	2 - Open Collector							

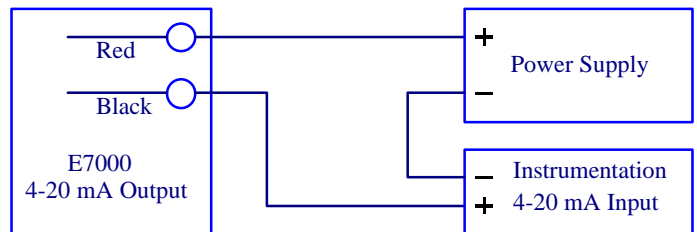
E7000 Model:	4-20 mA Output	Dry Contact	Open Collector	Anti-Reverse
E7000-000	•			
E7000-001	•	•		
E7000-002	•		•	
E7000-010	•			•
E7000-011	•	•		•
E7000-012	•		•	•

Electrical Characteristics:

4-20 mA Output:

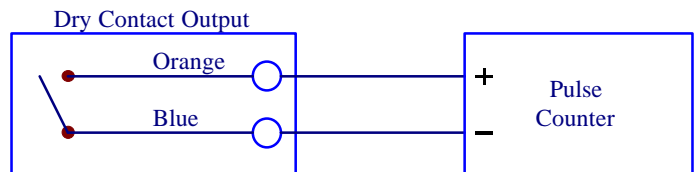
Operating Temperature:	+25 to +130 degrees F
Supply Voltage:	16 - 40 VDC
Temperature Coefficient:	±1.0%
Linearity:	0.1%
Accuracy:	0.5% over the entire range
Maximum Resistive Load:	Supply Voltage Dependent*
Reverse Voltage Protection:	-300V Maximum

Typical Wiring Diagrams:



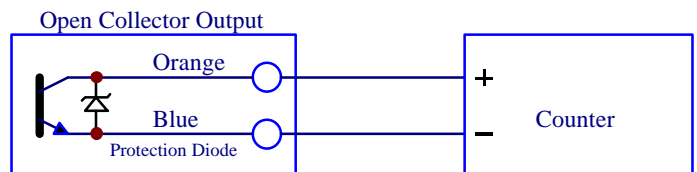
Dry Contact Output**:

Type:	Relay Contact, Norm. Open
Rated Load (AC):	0.5 A at 125 VAC
Rated Load (DC):	1 A at 30 VDC
Max. Operating Current:	1 A
Max. Switching Power:	30 W, 62.5 VA
Contact Closure Duration:	20 milliseconds
Max. Clicks per Minute:	10



Open Collector Output**:

Type:	NPN Darlington, Isolated
Isolation Voltage:	5000 VAC
Collector to Emitter Voltage:	40 VDC Maximum
Collector Current:	200 mA Maximum
Pulse Output Duration:	10 milliseconds
Max. Pulses per Minute:	700



* - Use formula (Supply Voltage - 16) ÷ 0.02 = Maximum Load(Ω)

** - Totalizer output operates only when power is applied to the 4-20 mA loop.

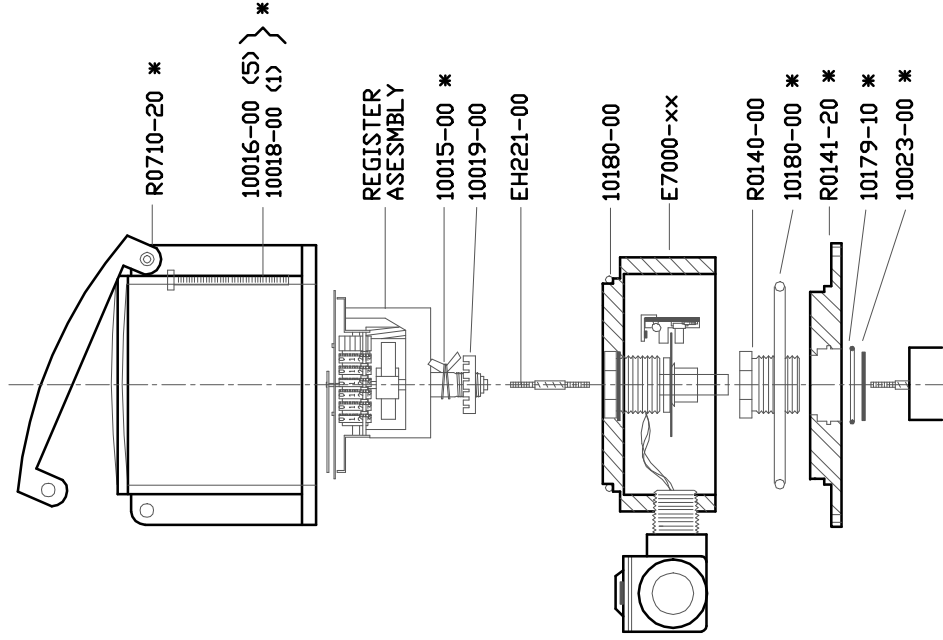
E7000-XX



DESC

E7000 XMTR INSTALLATION

BY	CEH	DATE	4-21-1994	APP	RNP	DATE	4-21-1994
----	-----	------	-----------	-----	-----	------	-----------



* R0143-00 BASEPLATE KIT
 CONSISTS OF THE
 * NUMBERS

NOTES:

1. DRAWING IS NOT SHOWN TO SCALE.

REV