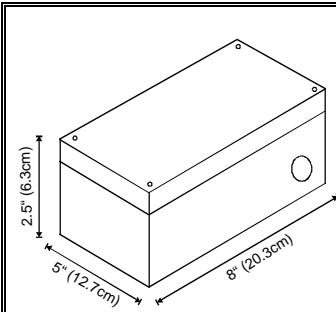


Specification Sheet



3255 West Stetson Avenue
Hemet, CA 92545-7799

Model: E2500	Description: Datalogger	Document #: 24527-31	Rev: 8/12/98si
------------------------	-----------------------------------	--------------------------------	--------------------------



Features:

- ◆ Datalogger with remote monitoring capabilities
- ◆ 40 day data storage capacity
- ◆ Compatible with all McCrometer flowmeters which have electronic output
- ◆ Two analog (4-20mA) and two digital input channels
- ◆ Forward and reverse datalogging possible
- ◆ Windows ® 95 software, data compatible with database and spreadsheet programs
- ◆ RS232 interface standard
- ◆ Modem interface optional (contact factory for cellular options)

E 2500-XX

Modem

0 - No
1 - Yes

Power supply

0 - 100-40Vac, 50-60Hz
1 - 9-18Vdc
2 - 18-36Vdc
3 - 36-72Vdc

Electrical Specifications:

Datalogger

Operating Temperature:	-40 to +185 degrees F
Operating Humidity:	5% to 95% RH
Supply Voltage:	5 VDC
Input Channels:	Two (2) analog Two (2) digital
Data capacity:	256K onboard memory

Modem (optional)*

Standards supported:	V.34bis, V.34 V.FC, V32.bis, V32, V22bis, V22A/B, V23, V21, Bell 212A and 103
Error correcting:	V.42 LAMP, MNP2-4 and MNP 10
Data compression:	V.42bis and MNP 5
Cellular:	MNP10 data throughput
Command structure:	AT

Input signals

Digital signals supported:	Min. pulse width 1 µsecond Min. pulse amplitude 3 Volt Max. frequency 500 Hz
Analog signals supported:	4 – 20 mA, 0 – 20 mA

Power supply

Power output:	5 vdc
Power inputs:	100-40Vac, 50-60Hz 9-18Vdc 18-36Vdc 36-72Vdc

Battery backup enclosure

Batteries:	Two (2) standard "D" cells (batteries not included)
Battery life:	90 days (no modem communications)
Note: battery operating ranges may be different than the datalogger.	